



# URA SPOT

SELF-CONTAINED  
EMERGENCY LIGHTING UNITS  
FOR INDOOR SPACES

THE GLOBAL SPECIALIST  
IN ELECTRICAL AND DIGITAL BUILDING INFRASTRUCTURES

 **legrand**<sup>®</sup>



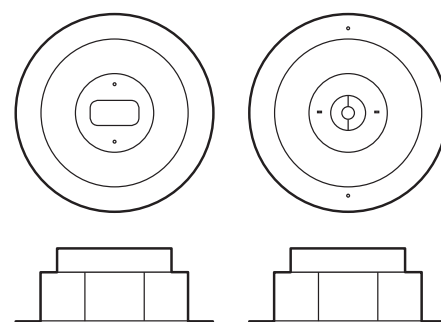
Ura Spot with specially designed lenses for each use case: for corridors, escape routes or for open area lighting.

# SAFETY FIRST...

The new Legrand URA SPOT emergency lighting unit with LED technology is the most attractive integrated solution for ensuring people's safety in commercial interiors and architectural spaces.

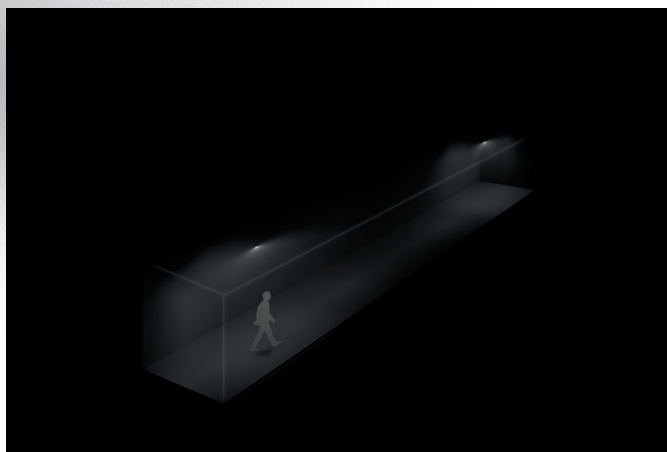
In buildings open to the public or simply used by staff, design is now key, in terms of meeting the need for performance, attractive appearance and comfort. The environment in which people live, move around and work is designed to improve the daily routine and safety of people working there or those just visiting.

Legrand offers Ura Spot emergency lighting units, a range specially designed to ensure optimum performance and allow people to be evacuated safely from any building where aesthetics are a priority: hotels, shopping centres, offices, etc.

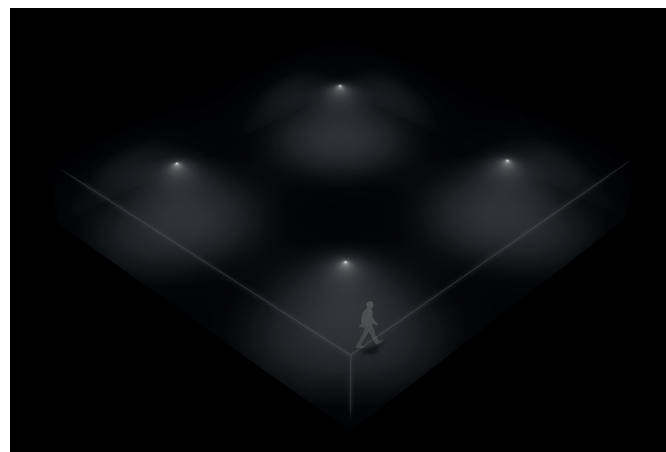


URA SPOT AVAILABLE  
FOR CORRIDORS AND  
ESCAPE ROUTES

URA SPOT AVAILABLE  
FOR OPEN AREA LIGHTING



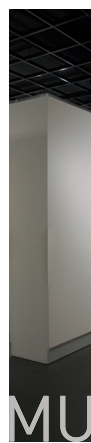
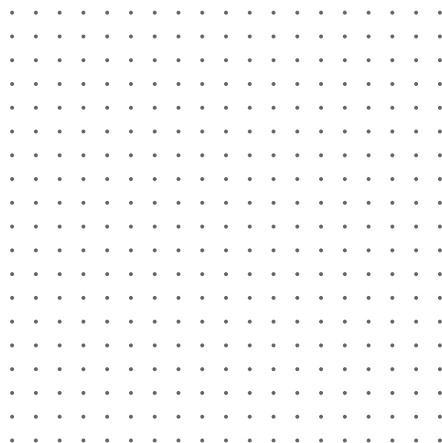
Operation for corridors/escape routes.

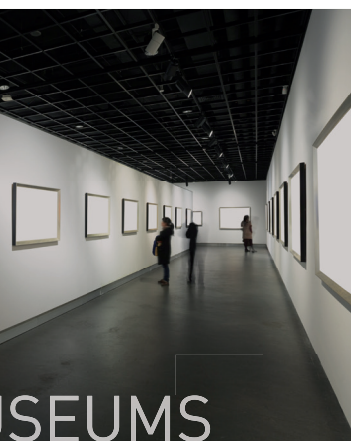


Operation in open area lighting.

# ... EVERYWHERE AND AT ALL TIMES

Legrand offers the URA SPOT solution to meet the safety needs of hotels, shopping centres, exhibition spaces, etc., where aesthetics are of key importance, without compromising on safety.





SEUMS



HEALTHCARE





### INSTALLATION

The Ura Spot unit is designed for flush-mounting in a suspended ceiling. Quick and easy to install, it is fixed in place without tools by means of two spring clips. Because every detail matters, the white finish and 2 mm thickness mean it fits neatly and invisibly in the ceiling.

### CONSTANT AND RELIABLE

If it becomes necessary to evacuate the building, Ura Spot self-contained emergency lighting units are always ready to work. Every Ura Spot self-contained emergency lighting unit comes in two versions:

- standalone operating time of 1 hour with luminous flux of 170 lumens,
- standalone operating time of 3 hours with luminous flux of 100 lumens.



# ATTENTION TO DETAIL

Specially designed for neat,  
discreet integration in suspended  
ceilings.





# HIGH LEVEL OF EFFICIENCY

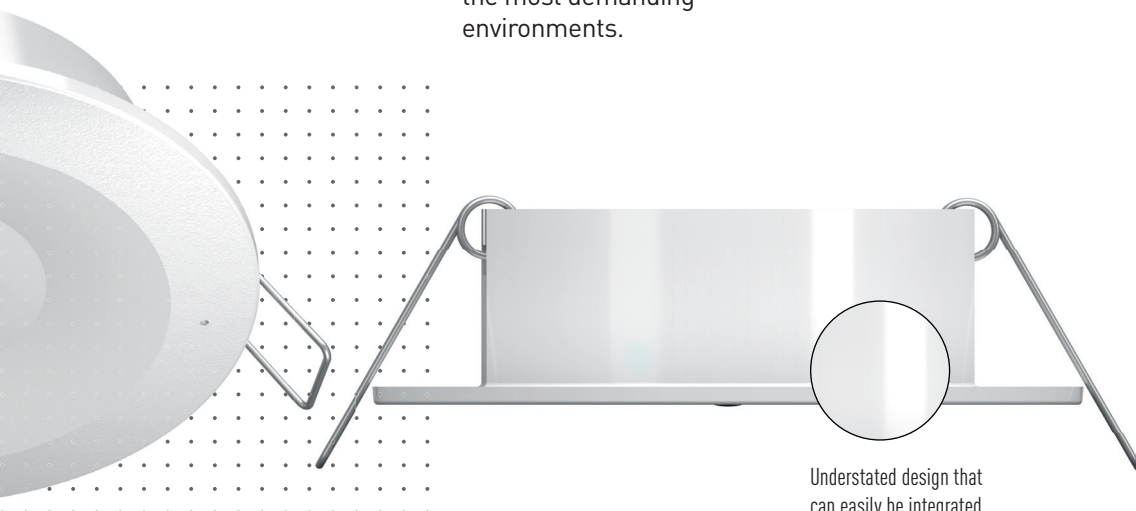
Given the large number of people and considerable human traffic flow within these buildings, safety equipment must be 100% reliable.

## COMPLIANCE

Our products are certified compliant with the requirements of current standards by an official laboratory and have obtained the ENEC European quality mark, proof of maximum performance, even in the most demanding environments.

## INNOVATION

Ura Spot units have been developed with specially designed lenses to optimise the light output at ground level, thereby also optimising the spacing distance between them.



Understated design that can easily be integrated into any project.

Ura Spot solutions incorporate protection against solid foreign objects and external mechanical impact.



## URA SPOT

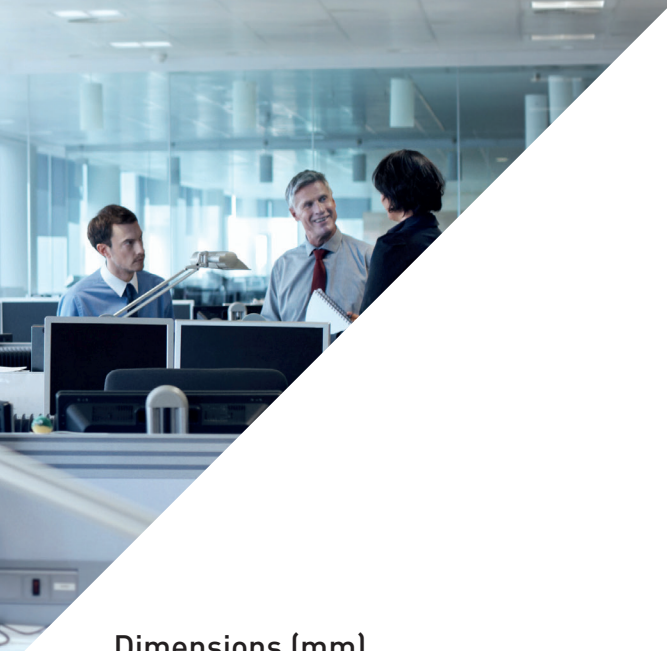
For corridors and escape routes  
1:1

Cat. No. 6 618 60	Cat. No. 6 618 64
1h	3h
170lm	100lm
IEC 60598-2-22 :2014	
Non-maintained (non-permanent)	
IP 40	
IK 04	
Class II	
1x LED 3W	
Ni-Cd	

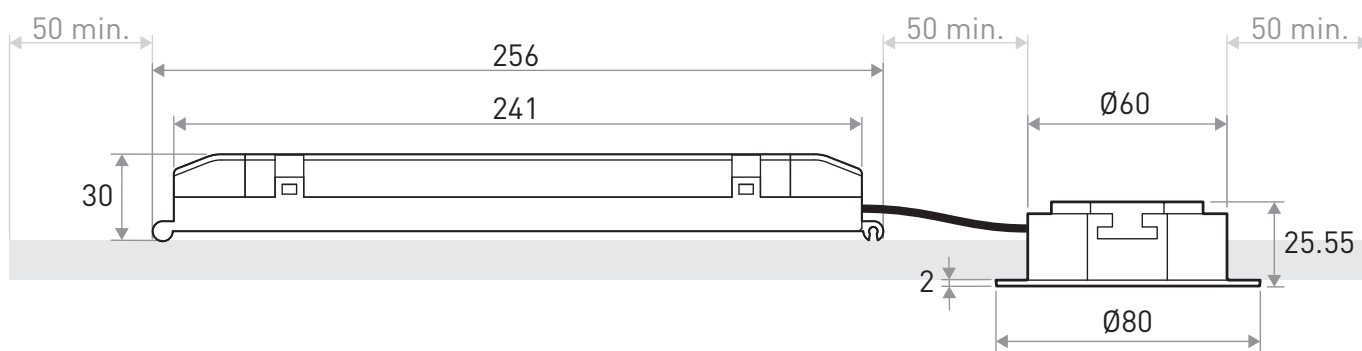
## URA SPOT

For open area lighting  
1:1

Cat. No. 6 618 61	Cat. No. 6 618 65
1h	3h
170lm	100lm
IEC 60598-2-22 :2014	
Non-maintained (non-permanent)	
IP 40	
IK 04	
Class II	
1x LED 3W	
Ni-Cd	

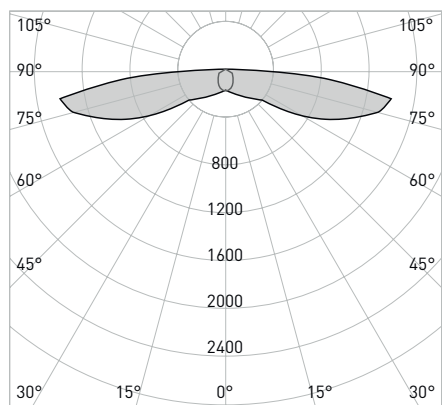


## Dimensions (mm)



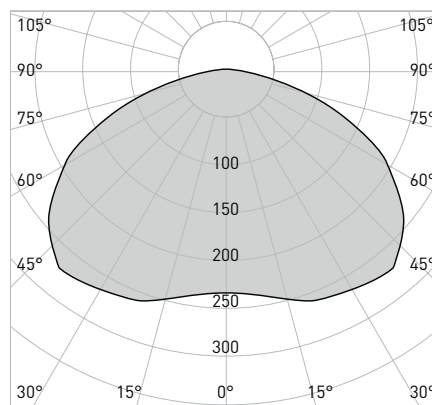
## Photometric curves

6 618 60/64



cd/klm  $\eta = 101\%$   
 — C0 - C180  
 — C90 - C270

6 618 61/65



cd/klm  $\eta = 101\%$   
 — C0 - C180  
 — C90 - C270

## Spacing tables

Escape route spacing (m) to 1 lux min. on centre line



Installation Height (m)		
	6 618 60	6 618 64
2.00	16.67	13.49
2.50	17.48	13.78
3.00	17.87	13.75
3.50	18.01	11.79
4.00	17.89	8.94

Open area spacing (m) to 0.5 lux min. in core area

Installation Height (m)		
	6 618 61	6 618 65
2.00	7.75	6.58
2.50	8.48	6.97
3.00	8.92	7.21
3.50	9.23	7.22
4.00	9.42	7.08



FOLLOW US  
ALSO ON

- @ legrand.com
-  youtube.com/user/legrand
-  facebook.com/Legrand
-  twitter.com/Legrand
-  pinterest.com/legrandgroup
-  instagram.com/legrandnews



**Head office**  
and International Department  
87045 Limoges Cedex - France  
Tel.: + 33 (0) 5 55 06 87 87  
Fax: + 33 (0) 5 55 06 74 55