

## B66 - weatherproof self-contained emergency lighting luminaires 8 W / 11 W fluorescent - BS compliant



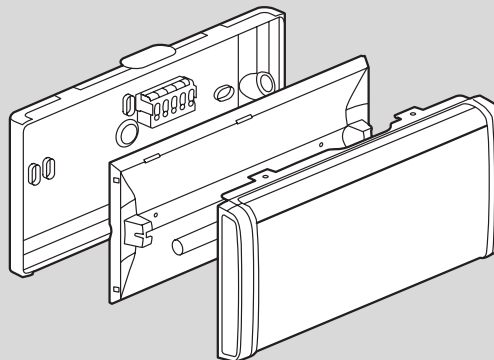
6 615 21

Spare batteries selection chart p. 661

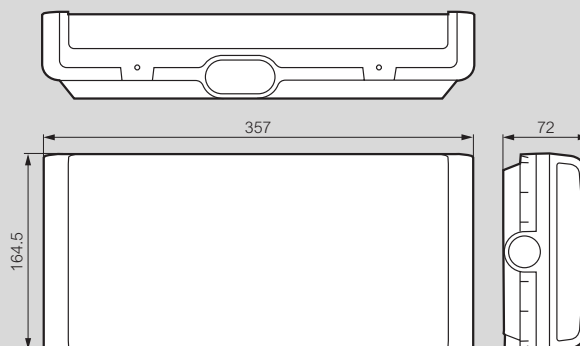
Pack	Cat.Nos	8 W / 11 W fluorescent luminaires
		8 W and PL11 W fluorescent non maintained, maintained and combined luminaires Certified to IEC 60598-2-22 and EN 60598-2-22 standards. IP 66 - High protection level IK 08 - High resistance level against mechanical shock Class II. Power supply: 230 V ± 10% - 50/60 Hz Low consumption switching power supply Ni-Cd batteries. Recharge time: 24 hours Plug-in back with automatic high capacity terminals: 2 x 2.5 mm <sup>2</sup> . Diffuser with tool-less fast mounting Charge monitor with a green LED Can be equipped with metallic protection grid Cat.No 0 626 91 (p. 660)
		<b>Standard luminaires - 1 h duration with transparent diffuser</b> Luminaires incorporate an external manual lamp test
1	6 615 21	Non maintained - 100 lm - 1h (1 x 8 W)
1	6 615 23	Non maintained - 250 lm - 1h (1 x 8 W)
1	6 615 25	Non maintained - 450 lm - 1h (1 x 11 W)
1	6 615 01	Maintained - 100 lm - 1h (1 x 8 W)
1	6 615 11	Maintained - 250 lm - 1h (1 x 8 W)
1	6 615 02	Combined - 100 lm - 1h (2 x 8 W)
1	6 615 12	Combined - 250 lm - 1h (2 x 8 W)
		<b>Standard luminaires - 3 h duration with transparent diffuser</b> Luminaires incorporate an external manual lamp test
1	6 615 35	Non maintained - 150 lm - 3h (1 x 8 W)
1	6 615 36	Maintained - 150 lm - 3h (1 x 8 W)
1	6 615 37	Combined - 150 lm - 3h (2 x 8 W)
		<b>Autotest/Addressable luminaires - 1 h duration with transparent diffuser</b> Autotest/addressable luminaires incorporate an automatic self-testing system in order to test the emergency mode Tests result is visible on 2 signalling LEDs (green-OK and yellow-defective). Addressable function is activated by setting an ID on each luminaire with infrared configuration tool (Cat.No 0 626 10) and wiring a complementary BUS line. Operating state of all addressable luminaires can be centralized by the control interface (Cat.No 0 626 00) and monitored on a local touch screen controller (Cat.No 0 626 01), or with the building's plan on Legrand Vision System (LVS2) PC software Cat.No 0 626 02
1	6 625 21	Non maintained - 100 lm - 1h (1 x 8 W)
1	6 625 23	Non maintained - 250 lm - 1h (1 x 8 W)
1	6 625 25	Non maintained - 450 lm - 1h (1 x 11 W)
1	6 625 01	Maintained - 250 lm - 1h (1 x 8 W)
1	6 625 06	Maintained - 400 lm - 1h (1 x 8 W)
1	6 625 02	Combined - 250 lm - 1h (2 x 8 W)
1	6 625 07	Combined - 400 lm - 1h (2 x 8 W)
		<b>Accessories</b>
1	6 612 99	<b>Testing tool</b> Testing tool for U34 LED, U33, B66 LED and B66 standard luminaires
1	0 609 10	<b>Screwdriver socket</b> Vandal resistant screwdriver socket compatible with Cat.Nos 0 626 92 and 0 626 99 For vandal resistant screws
1	0 626 99	<b>Vandal resistant screws for emergency lighting luminaires</b> Set of 4 screws making the diffuser's locking clips impregnable (4 screws are necessary per luminaire) Require the use of screwdriver Cat.No 0 609 10 (not supplied)

## B66 - weatherproof self-contained emergency lighting luminaires 8 W / 11 W fluorescent

### ■ Surface-mounting installation



### ■ Dimensions in mm



To help you locate your emergency lighting units with DIALux lighting calculation software, you can download the Legrand plug-in for DIALux on [www.export.legrand.com/EN](http://www.export.legrand.com/EN)